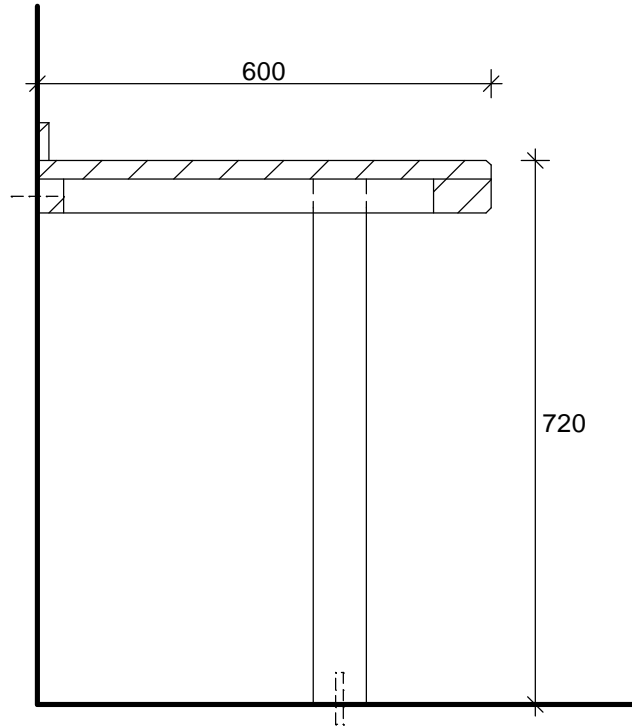
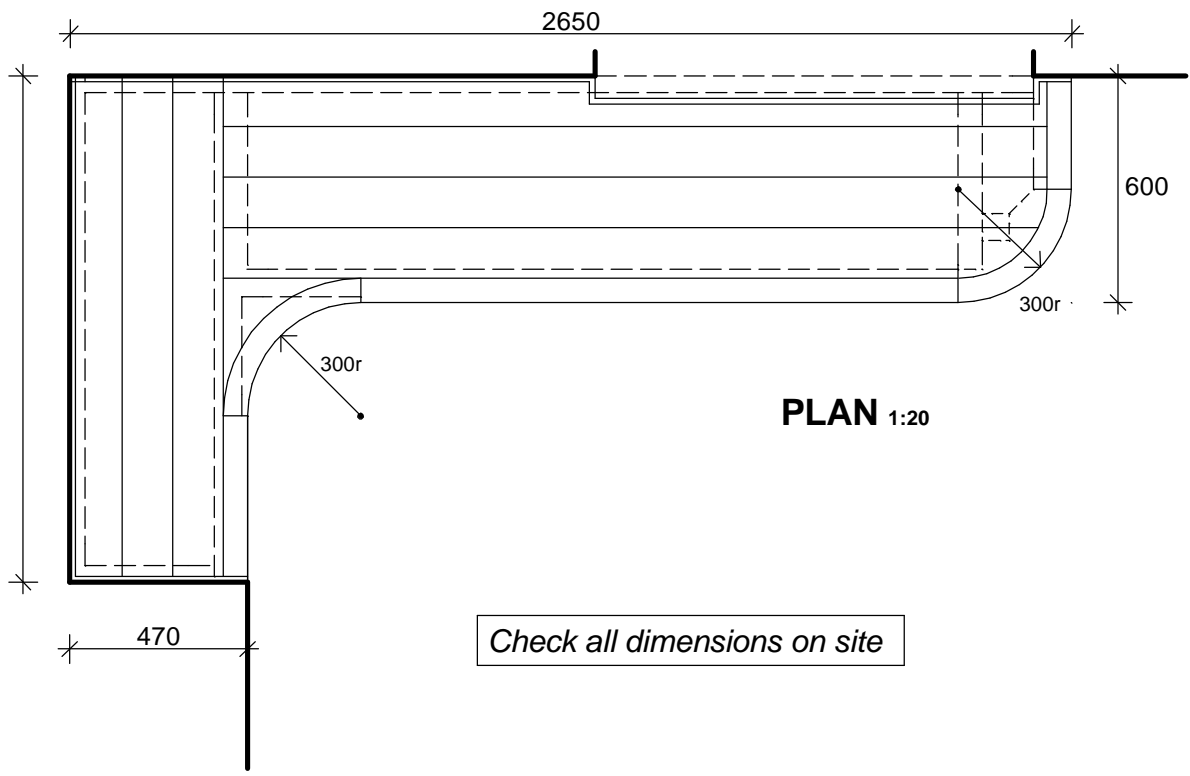


**ELEVATION** 1:20



**SECTION** 1:10



**PLAN** 1:20

*Check all dimensions on site*

**PROPOSED DESK**

**OLIVER GIBBS**  
**Carpentry & Joinery**

*January 2012*